

Main Features:

- Three Channel /Four Channel compatible architecture
- Totally 8 gold-plated DIP sockets for OPAMPs and Buffers rolling
- 2-Setting Gain Jumper for impedance matching
- Powered by 12.6V Li-polymer battery pack, or external 16V power adapter.
- High output power, 600mW+600mW into 32Ω

⚠ Caution:

To protect your hearing, please follow the operation guide and do not listen at extremely high volume levels. Extended high volume listening can lead to permanent hearing loss.

Contents:

iBasso P4, power adapter, rubber feet, leather pouch, connection cable, and warranty card.

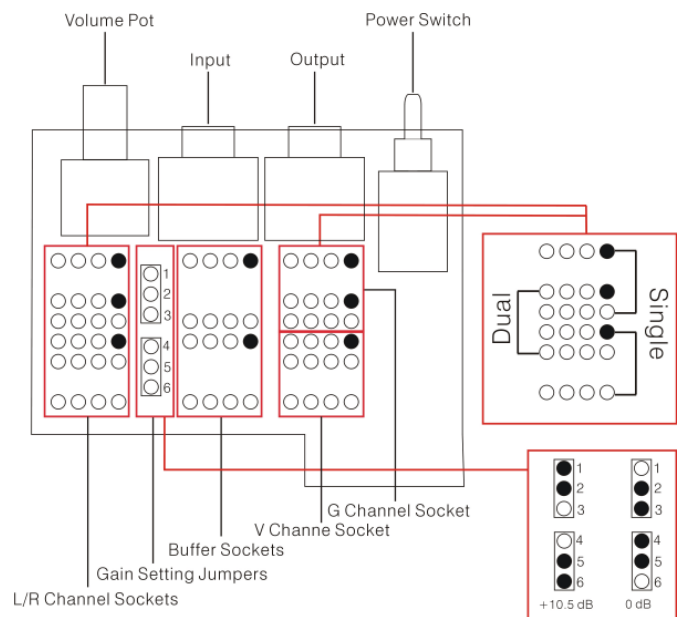
Also comes with an OPAMP rolling kit that includes many OPAMPs and Buffers. (See below)

| OPAMP/BUF | Qtt. | L/R | BUF | G/V | Singe | Dual |
|-----------------|------|-----|-----|-----|-------|------|
| AD797 | 2 | • | — | • | • | — |
| OPA604 | 2 | • | — | • | • | — |
| TLE2141 class A | 2 | • | — | • | • | — |
| BUF634U | 2 | — | • | • | • | — |
| BUF634P WB | 2 | — | • | • | • | — |
| Transistor BUF | 2 | — | • | • | • | — |
| Dummy adapter | 4 | — | • | • | • | — |

TLE2141*2, BUF634U*2, and dummy adapters*2 are inserted on the P4.

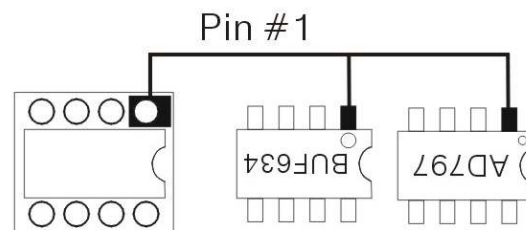
OPAMP and Buffer Rolling

Before you open the enclosure to roll the OPAMP or buffer, please make sure the P4 is turned off. The OPAMP and Buffer can be damaged by static. It is better to roll the OPAMP in a static-free environment. Also, before you place the OPAMP to the sockets, check it is a single or dual OPAMP, then place it to the right position.



Direction of Inserting the OPAMP and Buffer:

In the follow picture, shows the first pin of the OPAMPs, Buffers, or dummy adapters. In the above picture, there is a black hole on each amplifier or buffer sockets, which is where the first pin should go. (Be aware of that, inserting the OPAMP or Buffer in a wrong direction may damage it, which is not covered by warranty.)



Setting the Gain:

There are 6 pins, when the pin 1 and 2, 5 and 6 are connected, the gain is +10.5dB

When the pin 2 and 3, 4 and 5 are connected, the gain is 0dB

Charging the Battery:

Use the furnished AC adapter to charge the battery. Connect the adapter to the P4 and turn the charge switch to On Position. When the P4 starts charging, the red color charging lamp turned on. It takes about 3 hours to charge the completely drained battery pack. At the point the red color charge lamp turns off, the battery is about 80%

charged. If keeping the AC adapter plugged, the P4 is on trickle charge mode. After 2 more hours, the battery will be fully charged. P4 has overcharge protection; you can leave the amp plugged and no over-charging concerns.

Warranty:

iBasso Hi-Definition portable headphone amplifier P4+ (excluding the battery pack, accessories, and OPAMP rolling kit) to be free from malfunctions and defects in both materials and workmanship for one year from the date of purchase. Buyer should retain the warranty card. The warranty card will be required with any request for warranty repair.

This warranty does not apply when failure is due to, accident alteration, water infiltration, modification, unauthorized service, misuse, abuse, use with incompatible accessories or attachments, failure to follow operations, or claim made after the duration of this warranty.

For further product and warranty information, please go to www.ibasso.com.

Specifications:

Power Source: Built-in 12.6V Li-polymer battery pack or 16V external power supply

Frequency Response: 10Hz~200KHz /-0.3dB

Signal to Noise Ratio: -110dB

Crosstalk: -101dB

Total Harmonic Distortion: 0.0015%

Output power: 600mW+600mW into 32Ω

Gain: 0dB/+10.5dB

Battery Life: 40Hours with stock OPAMPs

Battery Charge Time: 3 Hours

External Power supply: 16V DC

Recommended Headphone Impedance: 8~300Ω

Case dimension: 3.62L x 2.17W x 0.94H (inch)

92L x 55W x 24H (mm)

Weight: 156g or 5.5oz